



SOLUTION BRIEF

PoINT Archival Gateway and Overland-Tandberg

Affordable S3 Object Storage with NEO Tape Libraries

Functions

- Integration of Overland-Tandberg NEO Tape libraries via S3
- Read and write performance with at least 1 PB per week
- Logical partitioning for workload requirements
- Erasure Coding

Advantages

- Cost-efficient solution with tape for Big Data, Backup and tiering
- Protection of investment and a future proof solution
- Flexible scalability in capacity and performance
- High write and read performance

Challenge

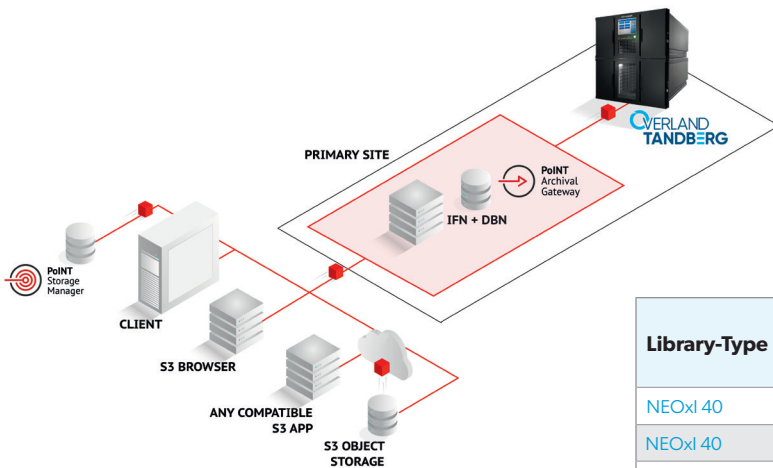
In the object storage sector, data volumes are often in the high PB range. In this context, it is advisable not only to rely on hard disk-based object storage systems for data protection. On the one hand, this data should also be protected by a backup against losses, e.g. due to technical failures or ransomware attacks. On the other hand, increasing data growth storage costs come into focus as data growth continues. This raises the question of cheaper hardware alternatives with a better eco-footprint.

For the reliable and long-term storage of such data volumes, tape offers a particularly secure and cost-efficient storage medium. PoINT Archival Gateway provides a tape-based S3 object storage which allows the seamless integration of Overland-Tandberg NEO Tape Libraries as object store into an existing storage infrastructure.

Solution

The combination of PoINT Archival Gateway and Overland-Tandberg NEO Tape Libraries offers a highly scalable storage solution for small to very large data volumes. PoINT Archival Gateway receives the data directly via the standardized S3 interface and writes them to tape with high performance.

OverlandTandberg NEO Tape Libraries are flexibly scalable in terms of capacity and performance from 216 TB to 40 PB. With PoINT Archival Gateway as tape-based object storage and Overland-Tandberg NEO Tape Libraries, users can sustainably optimize the storage infrastructure and create a future-proof and flexible storage solution for growing amounts of data. Whether as a target storage for big data applications, for archiving or as a backup target for the backup of cloud and object data: PoINT Archival Gateway and Overland-Tandberg NEO Tape Libraries secure digital assets in the long term and cost-effectively.



Library-Type	#Libraries	#Exp. per library	Slots	LTO-9 drives total	max. capacity in TB*	max. perf. in MB/s
NEOxl 40	1	6	280	4	2.520	800
NEOxl 40	4	6	1.120	16	10.080	3.200
NEOxl 80	1	6	560	4	5.040	800
NEOxl 80	8	6	4.480	32	40.320	6.400

Example configurations of the Archival Gateway with NEOxl 40 and NEOxl 80.



The Overland-Tandberg NEO Tape Libraries

NEO Series LTO Libraries are the ultimate solution for the last line of line of defense for data protection and archiving. They offer reliability, offline security, automated backup processes, and the lowest backup processes, and the lowest storage costs, making them the ideal ideal solution for long-term data storage and backup.

The PoINT Archival Gateway

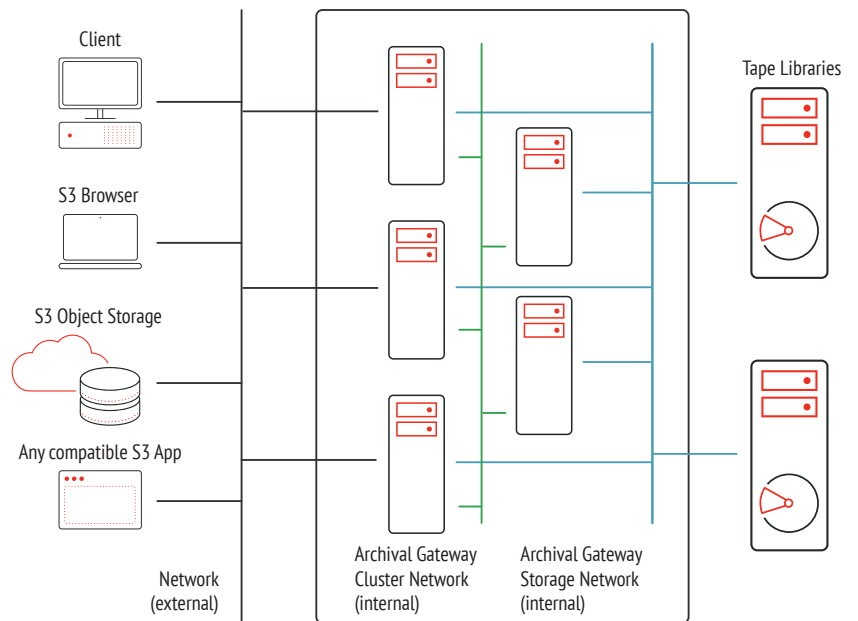
The PoINT Archival Gateway is a software-based and high-performance object storage which supports tape libraries. This combination allows to store and archive data volumes in the three-digit petabyte range without any problems. The PoINT Archival Gateway accepts the data volumes quickly and writes them securely to the tape media. The software solution also ensures that the data can be read again with high performance.

PoINT Archival Gateway Highlights

- Transfer rates of more than 1 PB per day
- High scalability
- Wide range of applications due to standardized S3 REST API
- Support of LTO and IBM 3592 drives
- Independence from tape system manufacturers
- Reliability through redundant server nodes guarantees data availability
- Data security through modern erasure coding procedures

PoINT Software & Systems

PoINT Software & Systems GmbH is specialized in the development of software products and system solutions for storage and management of data on all available mass storage devices such as optical media, hard disks, magnetic tapes, cloud and object storage. The close cooperation with its technology partners enables the early support of new storage technologies.



PoINT Archival Gateway supports and integrates NEO Tape Libraries directly. No additional drivers are required.



Sales and support for Overland-Tandberg products and solutions are available in over 100 countries. Contact us today at sales@overlandtandberg.com. Visit www.OverlandTandberg.com.