

# Tamper-Evident Seals

## Field Application Instructions

For FIPS 140-2 Level 2 physical security requirements, the RDX SATA III dock requires tamper-evident seals to allow detection of the device being opened. The Crypto Officer must install the tamper-evident seals for the module to operate in the Approved Mode of operation.

A list of products affected:

- 8812-RDX – RDX QuikStor Internal 3.5 inch Single Pack
- 8813-RDX – RDX QuikStor Internal 5.25 inch Single Pack
- 8815-RDX – RDX QuikStor Internal 5.25 inch 10-Pack
- 8816-RDX – RDX QuikStor Internal 3.5 inch 10-Pack

The RDX SATA III dock module is a multi-chip embedded implementation that meets commercial grade specifications for power, temperature, reliability, and shock/vibrations. The RDX dock uses standard passivation techniques and is protected by a steel enclosure.

Seals are available for order from Tandberg Data ([www.tandbergdata.com](http://www.tandbergdata.com)) using part number 1022445.

### Tamper-Evident Seal Application Procedure

Follow this procedure for each seal:

1. Clean and dry the module surfaces where the seal is to be applied.
2. Using finger/thumb pressure, slowly roll back the liner (backing material) to expose the adhesive side (underside) of the seal, taking care not to touch the adhesive with your fingers – otherwise the seal may show as being tampered with.
3. Place seal on module by applying very firm pressure across the entire seal surface.  
Start pressure at one corner to ensure no air bubbles form.

A curing time is required for maximum adhesion. We recommend 1 hour minimum. Full adhesion is achieved after 24 hours.

Depending on the RDX hardware configuration, apply the seals at locations shown in the sections that follow.

## RDX QuikStor 3.5 Inch Dock (Two Tamper-Evident Seals Required)

The SATA III RDX 3.5 inch has two (2) tamper-evident seals applied to the bottom of the dock.

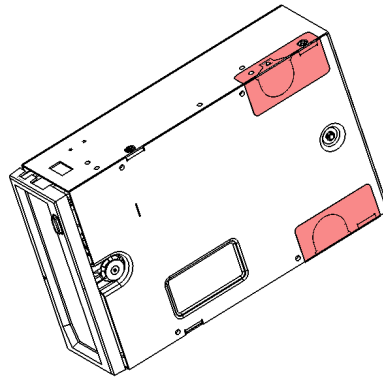


Figure 1: RDX 3.5 Inch Dock Tamper-Evident Seal Locations

## RDX QuikStor 5.25 Inch Dock (Four Tamper-Evident Seals Required)

The SATA III RDX 5.25 inch has four (4) tamper-evident seals applied to the dock, two on the sides and two on the bottom.

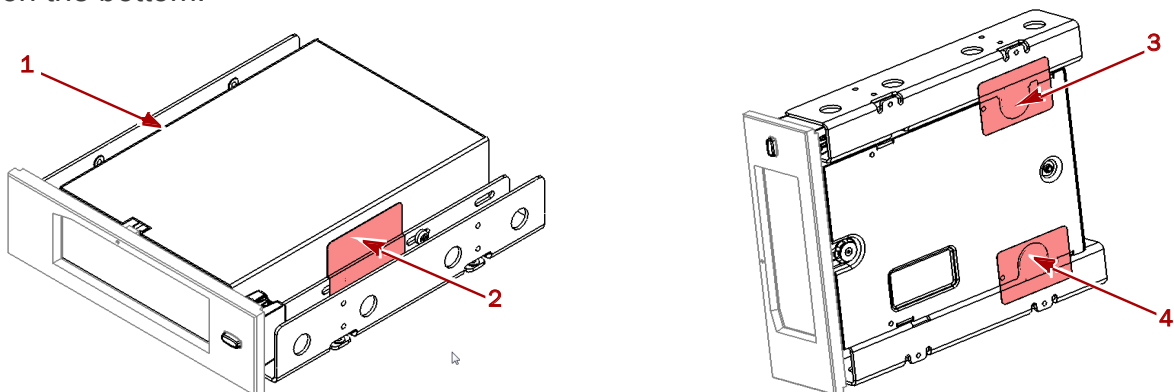


Figure 2: RDX 5.25 Inch Dock Tamper-Evident Seal Locations

Seals 1 and 2 are located on the right and left sides over the bracket edges. Seals 3 and 4 are located on the bottom toward the dock rear overlapping the bracket right and left edges.

## Crypto Officer Inspection

The Crypto Officer must inspect the device and tamper-evident seals on a periodic basis to ensure that they are intact. The Crypto Officer is responsible for securing and always having control of all the unused security seals.

The Crypto Officer is responsible for the direct control and observation of any changes to the device, such as reconfigurations where the tamper-evident seals are removed or installed to ensure the security of the RDX SATA III dock is maintained during such changes and the device is returned to a FIPS approved state. Upon discovery of tamper evidence, the RDX dock should be removed from service.