

SnapExpansion™ 2U Expansion Unit



Step 1

It is **essential** that you activate your warranty. Technical and warranty support are **not available** until the warranty is active:

1. Go to <http://www.overlandstorage.com/> and select **Service & Support > My Products**.
2. At the **Site Login**, enter your **e-mail address** and **password**, and click **GO**.
3. Click **Register New Product**.
4. Fill in the information (including serial number) and click **Submit**.



NOTE: You'll receive a confirmation e-mail from Overland with instructions on how to complete the registration process.

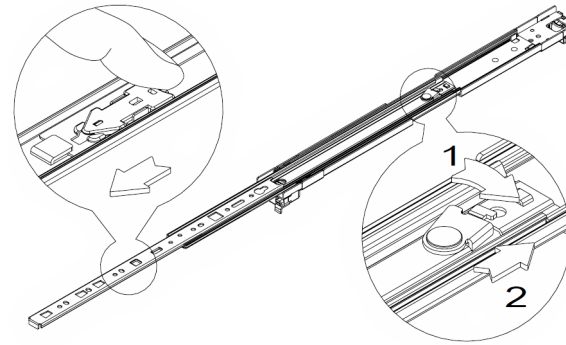
Step 2

IMPORTANT: Two-post Telco-style or other racks less than 29 inches in depth will NOT support this unit.

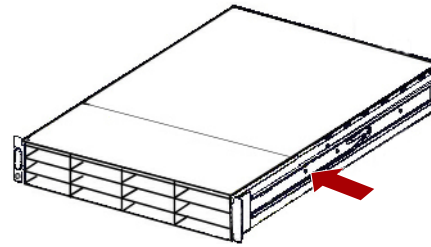
The SnapExpansion 2U comes with a sliding rail rack kit for easy installation into a 19-inch (EIA-310) rack. The two rails are identical; install them with the end flanges pointed outward from the SnapExpansion.

Attach Inner Rails to Unit

1. Select a **rail assembly** and slide the inner rail out until it stops.
2. Slide the inner rail **release latch** forward and remove the inner rail.
3. To retract the **middle rail**, release the lock (1) and slide it into (2) the outer rail.



4. Repeat **Steps 1–3** for the **other rail assembly**.
5. Align the **inner rail** against the side of the unit.



6. Using the supplied **screws**, secure the rail.
7. Repeat **Steps 5–6** for the **left rail**.

Optional Steps for Thicker Rack Rails

For rack rails **thicker than 3mm**, the sliding rail anchors cannot be seated without exerting excessive force and potentially damaging the sliding rail kit. The brackets need to be removed from each end of the slide rails to make the anchors seat securely.

For standard rack rail sizes 3mm or less, skip this procedure and proceed to **“Attach Outer Rails to Square-holed Rack.”**

1. Locate the **bracket** on the end of a slide rail.
2. Remove the **screw** securing the bracket to the rail.
3. Push the **bracket** toward the end of the rail, prying the back of the **bracket** upward to unseat and remove it.
4. Repeat **Steps 1–3** for each **end** of both **rails**.

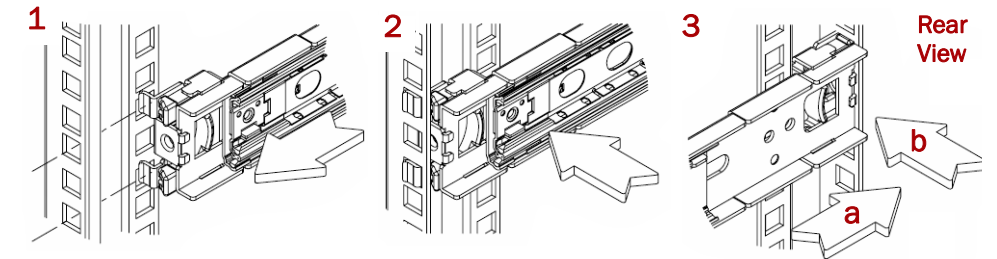
Attach Outer Rails to Square-holed Rack

WARNING: It is recommended that a mechanical lifter (or at least two people) be used to raise and align the unit to prevent injury during installation. Use care when inserting or removing a unit into or out of a rack to prevent the accidental tipping of the rack, causing damage or personal injury.

WARNUNG: Um Verletzungen zu vermeiden, empfehlen wir zur Rack-Installation oder -Deinstallation die Nutzung einer mechanischen Hebehilfe (oder mindestens zwei Personen).

AVERTISSEMENT: Afin d'éviter des blessures pendant l'installation, il est recommandé d'utiliser un monte-charge (ou au moins deux personnes) pour élever ou aligner l'appareil. Faites attention lorsque vous insérez ou retirez l'appareil d'un support, pour empêcher le déversement accidentel de la crémaillère causant des dommages et des blessures.

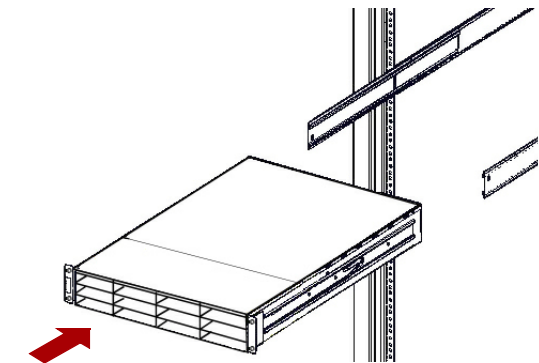
1. Position the front of one of the **rails** in line with the front vertical rail mounting holes (1) and move it forward until the **rail anchors** are through the holes.



2. Push the rail toward the **outside of the rack** (2) until the rail locks snap into place.
 3. At the **rear** (3), slide the outer rail in or out to fit between the vertical rails (a) and repeat **Steps 1–2** to secure it (b).
- NOTE: Make sure the rear holes are the same height as the front holes so the rail is level.*
4. For the other **rail**, repeat **Steps 1–3**.

Install in Rack

1. Using the mechanical lifter, position the **expansion unit** in front of the rack.
2. Insert the **inner rails** into the **outer rails** and slide the unit into the rack.



3. Using **four** of the **provided screws**, secure the SnapExpansion to the front of the rack.
4. **Additional step for thicker rack rails:** Using the **two supplied screws**, secure the **rear ends of the slide rails** to the rack rails.

Step 3

The SnapExpansion 2U comes with eight blank drive carriers installed (drives are sold separately). As many as 12 disk drives can be installed leaving blank drive carriers filling in any empty slots.

IMPORTANT: To maintain proper airflow and cooling, a drive assembly or a blank drive carrier must be installed in every slot. No empty slots are allowed.

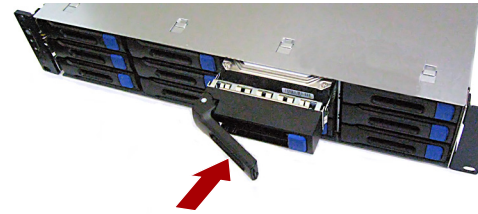
Install Drives

NOTE: Do not remove the disk drives from their carriers. Doing so voids the drive warranty.

Once the SnapExpansion 2U is in the rack, install the drives as follows:

1. Remove any **blank drive carriers** from the slots that will be used for drives.
2. Starting at the top left, position a **drive assembly** in front of a **bay**.
3. Slide the **carrier** in until it stops.

4. Push in the **latch** until it clicks, locking the assembly in the bay.
5. Repeat **Steps 2–4** for **each** remaining drive carrier.



Attach the Bezel

1. Position the **bezel** with the top and bottom edges aligned with the slots on the front of the expansion unit.
2. Push the **bezel** toward the unit until the magnets on the ends connect and the bezel snaps into place.
3. Verify that the bezel is **aligned** properly with all the LEDs visible and the Power Panel on the left side is in line with the hole on the bezel flange.

Step 4

Cable Attachment

All cabling, power connections, and cooling vents are located on the rear panel of the unit.



1. Power OFF the **system** (the head unit and all its expansion units).
2. Connect the **SAS cable** that came with the SnapExpansion to the upper rear port (IN). Connect the **other end** to either the head unit or a previously installed SnapExpansion (upstream).
On an “upstream” SnapExpansion, connect the cable to the lower rear port (OUT). For a SnapServer 1U appliance, the optional PCIe SAS card must be installed.
3. Attach both power cords to the **AC power** sockets on the unit.
4. Plug the **power cords** into a UPS appliance or a properly grounded AC power source.

NOTE: The head unit controls the power to any attached SnapExpansion units. Before powering ON the head unit, be sure all expansion units are connected and plugged in. Turning on the head unit will cause all the attached expansion units to power on. The SnapExpansion Power button is an override option only.

5. Press the front **power switch of the head unit** for no more than one second.

Step 5

User Guides

For detailed information on configuring your SnapExpansion 2U, refer to the *SnapServer Administrator’s Guide for GuardianOS* or the *GuardianOS Release Notes*.

They are **available online** at:

<http://docs.overlandstorage.com/snapservers>

Translated versions of this Quick Start Guide are also available on the web page.



Warranty and Technical Support

For warranty and general technical support information, see our **Contact Us** web page:

<http://www.overlandstorage.com/company/contact-us/index.aspx>

For information on contacting Overland Technical Support, see our **Contact Support** web page:

<http://docs.overlandstorage.com/support>

To search for more service information, visit our **Expert Knowledge Base System**:

<http://support.overlandstorage.com/kb>

