



Quick Start Guide

NEOs™ StorageLoader® 1U Tape Library



Step 1

It is **essential** that you activate your warranty. Technical and warranty support are **not available** until the warranty is active:

1. Go to <http://www.overlandstorage.com/> and select **Service & Support > My Products**.
2. At the **Site Login**, enter your **e-mail address** and **password**, and click **GO**.
3. Click **Register New Product**.
4. Fill in the information (including serial number) and click **Submit**.



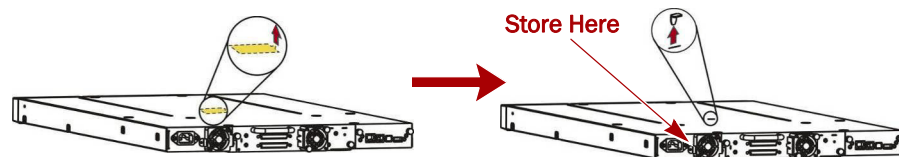
NOTE: You'll receive a confirmation e-mail from Overland with instructions on how to complete the registration process.

Step 2

Prepare for Installation

NOTE: If the temperature in the room where the library will be installed varies by 15° C (30° F) from the room where the library was stored, allow the library to acclimate to the surrounding environment for at least 12 hours before unpacking it.

1. Unpack the **library and components**, placing them on a secure surface.
2. Remove the **shipping lock**:



- a. Remove the **yellow label** on the top that is securing the shipping lock.
- b. Remove the **shipping lock** from the slot underneath the label.
Store the shipping lock in the slot in the power supply should it needed later.
- c. Replace the **yellow label** over the slot.

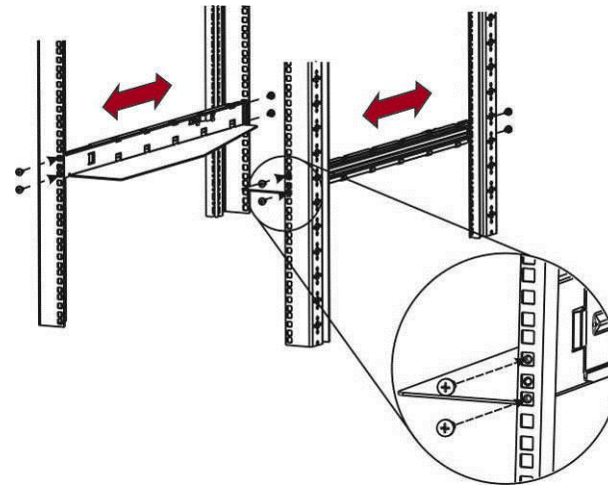
Step 3

The NEOs StorageLoader comes with a sliding rail rack kit for easy installation into a 19-inch (EIA-310) rack.

- IMPORTANT:** Two-post telco-style or other racks less than 29 inches in depth will NOT support this unit.

Install the Rack Rails

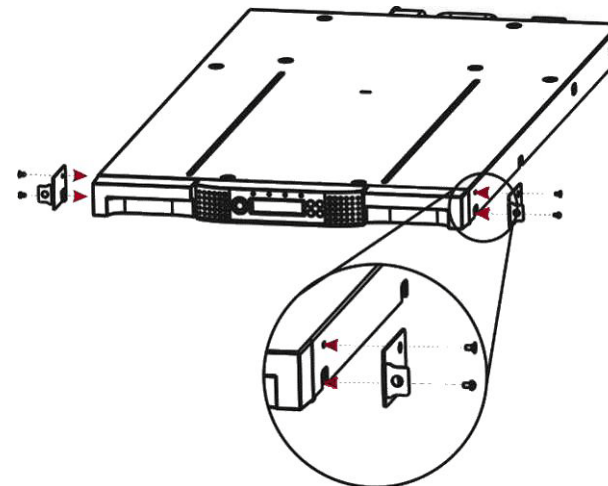
1. Determine the **location** where the library is to be installed and mark each vertical rail on the rack.
- NOTE: Verify that the rails are mounted level and at the same rack height on each side.*
2. Using the correct screws for your type of rack, secure **one rail** using four screws, two front and two rear.



3. Repeat **Step 2** for the **other rail** on the other side.

Attach Mounting Brackets

Using the four T10 Torx screws, attach the mounting brackets to each side of the front of the library.



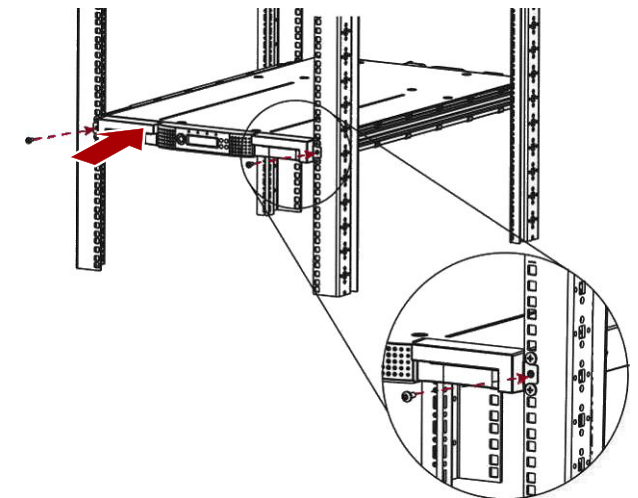
Install the Library in Rack

WARNING: It is recommended that a mechanical lifter (or at least two people) be used to raise and align the unit to prevent injury during installation. Use care when inserting or removing a unit into or out of a rack to prevent the accidental tipping of the rack, causing damage or personal injury.

WARNUNG: Um Verletzungen zu vermeiden, empfehlen wir zur Rack-Installation oder -Deinstallation die Nutzung einer mechanischen Hebehilfe (oder mindestens zwei Personen). Seien Sie vorsichtig bei der Rack-Installation oder -Entnahme, um ein versehentliches Kippen des Racks zu vermeiden und das Rack nicht zu beschädigen bzw. sich selbst zu verletzen.

AVERTISSEMENT: Afin d'éviter des blessures pendant l'installation, il est recommandé d'utiliser un monte-charge (ou au moins deux personnes) pour élever ou aligner l'appareil. Faites attention lorsque vous insérez ou retirez l'appareil d'un support, pour empêcher le déversement accidentel de la crémaillère causant des dommages et des blessures.

1. Using the mechanical lifter, position the **library** in front of the rack .
2. Slide the library onto the **rack rails**.

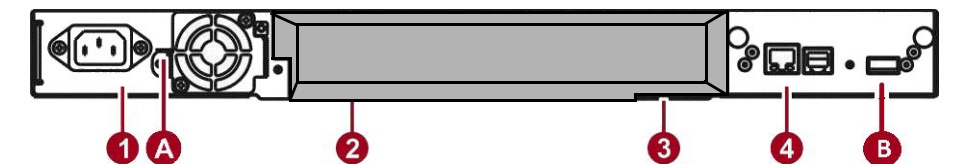


3. Secure it to the rack using **two screws** in the mounting bracket.

Step 4

The half-height tape drive is installed from the rear.

1. Remove and retain the **drive bay cover**.
2. Slightly pull out the **ID label pull-out tab** (3) so it does not interfere.

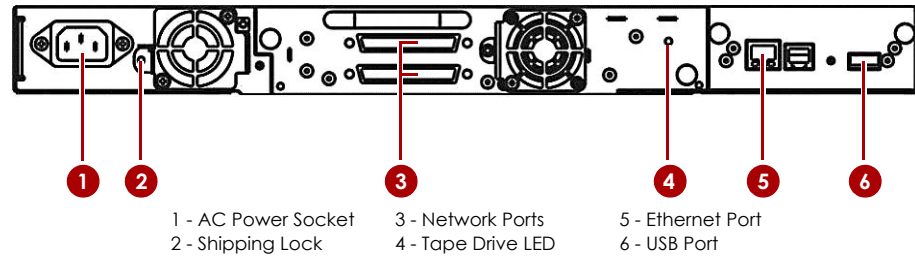


3. Insert the **tape drive** into the drive bay (2), and align the connectors on the library while supporting the drive.
4. Push the tape drive into the **drive bay** until the tape drive seats itself against the back of the library.
5. Slightly push the **ID label pull-out tab** back into library.
6. Tighten the **blue captive screws** with your fingers to secure the tape drive to the library.

Step 5

Cable Attachment

All cabling, power connections, and cooling are located on the rear panel.

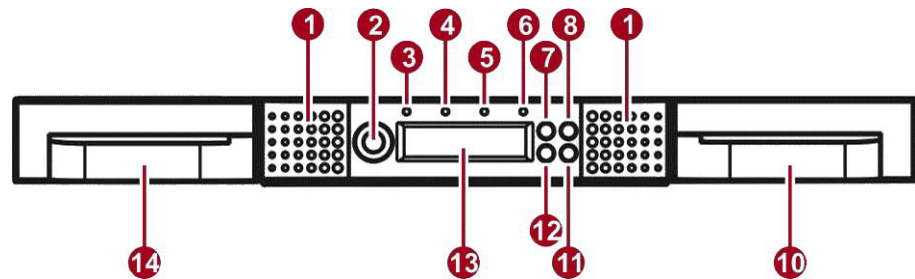


1. Connect the network cables to their ports (3).
2. Connect the management cable to the RJ45 port (5).
3. Plug the power cord into the AC Power Socket (1).
4. Press the Power button on the front just left of the LED screen.

Step 6

The library can be operated using either the Operator Control Panel (OCP) on the front of the device or remotely using the Remote Management Interface (RMI) web access.

Operator Control Panel



The OCP is the LCD screen located on the front panel (13), and displays actions and status information, menu items, and error messages equivalent to the operation mode. There are two modes:

- **User interaction mode** – This mode is employed when a user is pushing buttons on the OCP.
- **System driven mode** – This is the normal mode of operation where the OCP displays statuses associated with the actions resulting from commands issued from the host software application.

It is supported by four LEDs above the screen (3-6) and four buttons to the right (7, 8, 11, 12). Refer to the *NEOs StorageLoader User Guide* for complete details.

Remote Management Interface

Many of the same operations performed locally from the OCP can also be performed remotely using the network-connected RMI interface.

The RMI hosts a dedicated, protected Internet site that displays a graphical representation of the library. After establishing a network connection to the library, open any HTML browser and enter the IP address of the library.

NOTE: To access the RMI, you must first set the desired static IP address for the library using the OCP or configure the library to use DHCP.

Refer to the *NEOs StorageLoader User Guide* for complete details.

Step 7

User Guides

For detailed information on configuring your NEOs StorageLoader, refer to the *NEOs StorageLoader User Guide* available online at:

<http://docs.overlandstorage.com/neo>



Warranty and Technical Support

For warranty and general technical support information, see our **Contact Us** web page:

<http://www.overlandstorage.com/company/contact-us/index.aspx>

For information on contacting Overland Technical Support, see our **Contact Support** web page:

<http://docs.overlandstorage.com/support>

