

Setup Instructions

This document describes how to install the drive power boards and power supplies to make your NEOxl 80 or NEOxl Expansion ready for service.

WARNING: To reduce the risk of electric shock or damage to equipment, always remove any power cords while working with the unit.

WARNUNG: Um das Risiko eines elektrischen Schlags oder Schäden am Gerät zu vermeiden, ziehen Sie stets den Netzstecker, bevor Sie an der Einheit arbeiten.

AVERTISSEMENT: Pour réduire le risque de choc électrique ou endommagement de l'équipement, retirez toujours les cordons électriques en travaillant avec l'appareil.

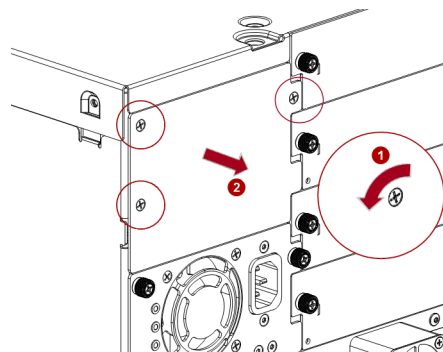
CAUTION: While working with the unit, observe standard Electrostatic Discharge (ESD) precautions to prevent damage to micro-circuitry or static-sensitive devices.



Install Power Supplies

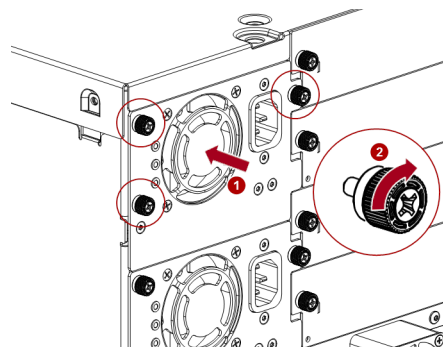
Remove the Cover Plate

1. At the rear, with your fingers, loosen the **three Phillips screws** on the power supply cover.
2. Using the thumbscrews (one on each side), pull the **plate** off and set it aside.



Install the Power Supply

1. Position the new power supply onto the **alignment rails** and slide the **power supply** into the library until it is flush with the back panel of the library.
2. Tighten the **blue captive thumbscrews** with your fingers to secure it to the library.

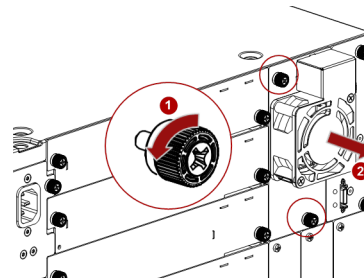


Install Drive Power Boards

NOTE: The NEOxl 80 has one drive power board to install; the NEOxl Expansion has two drive power boards.

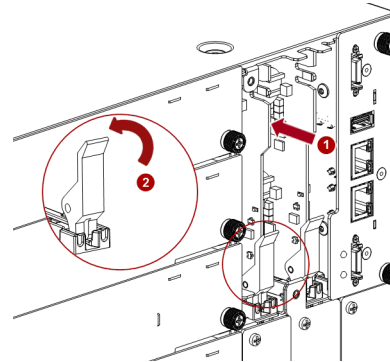
Remove the Chassis Fan

1. Loosen the **two blue captive thumbscrews** on the chassis fan assembly.
2. Using the thumbscrews, slowly remove the **chassis fan assembly** from the library and set it aside.



Install the Boards

1. Position a drive power board onto the **alignment rails** and slide the **drive power board** into the library until seated firmly.
2. Push the **latch** up until it snaps into place.
When the drive power board is installed correctly, the latch will be tight.
3. For the NEOxl Expansion, repeat [Steps 1–2](#) for the remaining drive power board.



Reinstall the Chassis Fan

1. Align the **tabs** on the library with the slots at the top of the chassis fan assembly.
2. Push in the **chassis fan assembly** until it is flush with the back panel of the library.
3. Tighten the **blue captive thumbscrews** with your fingers to secure it to the library.

