

Spare Disk Drive Instructions

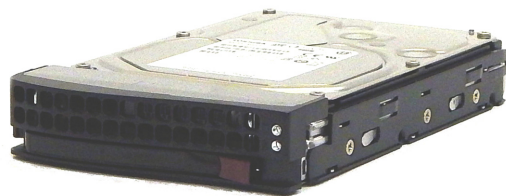
This document describes how to remove and replace a disk drive (HDD or SSD) in a NEO Agility appliance from Overland Storage. Drives are hot-swappable.

WARNING: To reduce the risk of electric shock or damage to equipment, always remove any power cords while working with the appliance.

WARNUNG: Um das Risiko eines elektrischen Schlags oder Schäden am Gerät zu vermeiden, ziehen Sie stets den Netzstecker, bevor Sie an der Einheit arbeiten.

AVERTISSEMENT: Pour réduire le risque de choc électrique ou endommagement de l'équipement, retirez toujours les cordons électriques en travaillant avec l'appareil.

CAUTION: While working with the appliance, observe standard Electrostatic Discharge (ESD) precautions to prevent damage to micro-circuitry or static-sensitive devices.



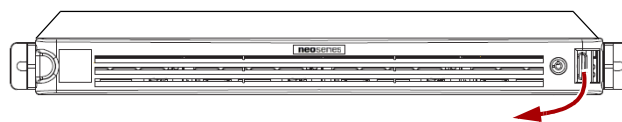
Drive Configurations:

- NEO Agility 48 – Two 2.5-inch SSDs and two 3.5-inch HDDs.
- NEO Agility 80/160 – Eight 2.5-inch HDDs and two 2.5-inch SSDs.

Prepare the Appliance

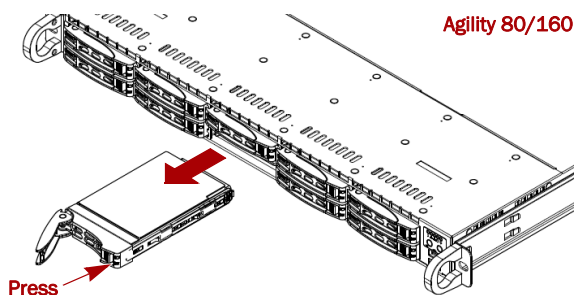
Remove the Bezel

1. If needed, use the **supplied key** to unlock the bezel.
2. Press the **latch** on the right to release the bezel.
3. Carefully swing the **bezel** out, remove it from the appliance, and set it aside.



Remove the Old Drive Assembly

1. At the drive that is being replaced, press the **button** on the right side of the carrier to release the built-in handle.
2. Using the **handle**, pull the carrier out and set it aside on a secure surface.

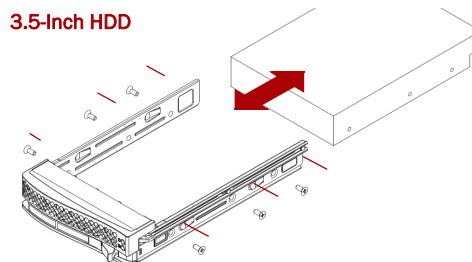


Replace Drive in Carrier

Remove Old Drive

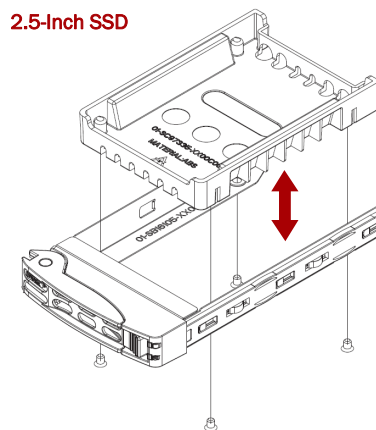
The disk drive in the carrier is replaced with a new 2.5- or 3.5-inch disk drive.

1. Using a Phillips screwdriver, remove and retain the **screws** holding the old drive in the carrier.
 - Six on the sides of the HDD drive.
 - Four on the bottom of the SSD drive.
2. Remove the **old drive** and set it aside for return.



Install New Drive

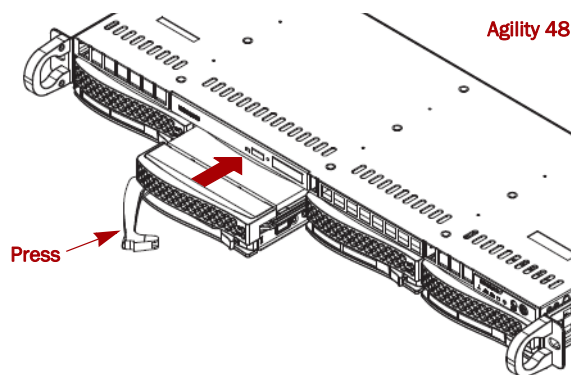
1. Place the **new drive** top up in the empty carrier with the connections toward the rear.
For the SSD, verify the drive is aligned with the rear of the carrier.
2. Using the **retained screws**, loosely secure the drive in the carrier.
3. Verify the alignment and then tighten the **screws**.



Complete the Replacement

Reinstall Drive Assembly

1. Position a **drive assembly** in front of its empty **bay**.
2. Slide the **assembly** in until it stops and the handle starts to close.
3. Press the **handle** in until the latch **clicks**, securing the drive assembly in the chassis.



Attach the Bezel

1. Holding the bezel level horizontally and at a 45° angle to the front, insert the **left bezel tabs** into the left flanges.
2. Pressing in the release latch on the right, swing the **bezel** into place on the right, and let go the latch to secure it.
3. If needed, **lock** the bezel using the supplied key.



Return Old Parts to Overland

1. Place the **old part** in the anti-static bag and put it in the replacement part's box.
2. Use the existing **packing material** to secure it in the box.
3. Use an RMA to return the part to **Overland Storage**.

For return shipping details and RMA number, go to:
<http://docs.overlandstorage.com/return-instructions>.

